


Special Features

- Case & measuring system in SS
- Dry or liquid filled
- Accuracy up to 1.0% F. S.

Application

- Chemicals
- Refinery
- Nuclear
- Aerospace
- Fertilizer
- Petrochemicals
- Pharmaceutical
- Pharmaceutical
- Power
- Cement
- Sugar
- Food & beverages
- Pulp
- Paper & allied process industries

Specifications
Standard Version : 150 mm

Accuracy	: ±1.6% of F. S. for ranges up to 1 bar
	: ±1.0% of F. S. for ranges 1 bar to 6 bar
Ambient temperature	: - 25°C to + 65°C
Process temperature	: Max 100°C
Static pressure	: 2 bar up to ranges 0.6 bar
	: 6 bar for ranges 1 bar to 2.5 bar
	: 10 bar for ranges 4 bar to 6 bar
Over pressure limit	: 130% of Max. Scale Value

Case & Bezel	: AISI 304 SS (Bayonet Type)
Bellow	: AISI 316L SS
Process connection	: ½" NPT(M) x 2 Nos.
Movement	: AISI 304 SS

Protection	: IP 65
Dial	: Aluminum, black graduation on white background
Pointer	: Aluminum, black coloured, Micrometer Zero Adjustable
Window	: Shatterproof / Safety Glass
Gasket	: Neoprene
Filling Plug	: EPDM
Blow Off Disc	: Neoprene
Scale Amplitude	: 180° to 270°(Depends on Range)

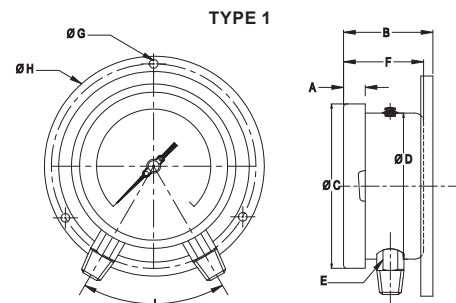
Glycerine filled version (option PY)*

Accuracy	: ±1.0 % of F. S.
Ambient Temperature	: Maximum 65°C
Process Temperature	: Maximum 65°C
Window	: Plexi Glass
Dampening Liquids	: Glycerin 99.7%
Other Features	: Refer Specification of Standard Version

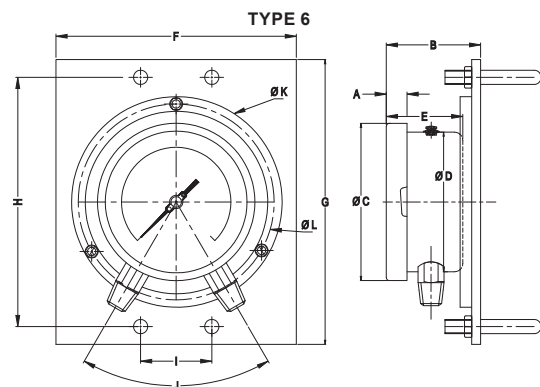
*Suitable for ranges 1 bar to 6 bar

Temperature effect :

The variation of indication caused by effects of temperature is to be calculated by below formula; which is to be added in the specified accuracy while measurement :- Formula : $\pm 0.08 \times (t_2 - t_1) \%$ of F. S. where t_1 = reference temperature (+20°C) and t_2 = ambient temperature in °C.

Dimensions - standard version


NS	A	B	ØC	ØD	E	F	ØG	ØH	ØI	J	Weight in gram (With Box)
150	15	96	161	149	22	90	6	186	168	60°	2200

BQ model bottom entry with surface mounting


NS	A	B	ØC	ØD	E	F	G	H	I	J	ØK	ØL	Weight in gram (With Box)
150	15	99	161	149	90	200	250	220	69	60°	186	168	2000

- Notes :**
- Drawings are not to scale.
 - All Dimensions are in mm.
 - NS = Nominal Size

Range Table

Note : We offer Pressure, Vacuum and Compound ranges in Scales like kPa, MPa, bar, psi, kg/cm² & Dual Scale like kPa with psi, kPa with bar, bar with psi or scales as per the requirement can be provided on request. Following are the example tables for kg/cm² & psi scales

Pressure range (Single Scale)

Low Pressure	High Pressure			Accessories
mmWC	kg/cm ²	kg/cm ²	kg/cm ²	Manifolds
0/4000	0/1	0/2	0/4	(Refer Individual Datasheet for complete specifications)
0/6000	0/1.6	0/2.5	0/6	

Note : Other Scale are available on customer request.

How To Order
Example
Basic Model
Code

BQ

Nominal Size

150 mm

Code
H

X

Type of Mounting

- 1 Wall / surface / projection mounting with bottom entry
- 6 2" pipe / yoke mounting with bottom entry

X

Process Connection
4NM ½" NPT (M) x 2 Nos.(Standard)

XXX

Note : Connections like Metric/ PT/ PF/ Flaired/ UNF/ G/ R etc can be provided on request. Consult factory for price & delivery.

Bellow
GU AISI 316L SS (Standard)

XX

Range

Refer range table

 0 / 2
kg/cm²
Optional Extras

PS AISI 316 SS case & bezel	TF Conformity as per NACE standard
PY Dampening liquid glycerin◆	PU Calibration certificate traceable to National / International standards
QA Dampening liquid silicon oil**◆	PW Five point calibration certificate
RH Custom designed dial	GH Material test certificates#
SW Dial tag marking	JU 2" pipe/yoke mounting bracket & 'U' clamp (AISI 304 SS)
SX SS tag plate	FN 2" pipe/yoke mounting bracket & 'U' clamp (AISI 316 SS)
RZ Toughened glass	EZ External zero adjustment
BW Solid front version with Baffle Wall/ Plate	

XX

** BOD and Gasket of Viton. ◆ Suitable for ranges 1 bar to 6 bar

Material test certificates will be provided for wetted parts only with chemical composition testing. For others, please consult factory.

Note : For selection of Diaphragm Seals, refer individual data sheets.

(The capillary length shall be maximum up to 3 meters & range shall be above 1 kg/cm².)

Ordering Example: BQ . X . X . XXX . XX . 0/2 kg/cm² . XX

For other optional items, please contact factory for delivery and minimum quantity of order.

Note : Specifications and dimensions given in this product catalogue represents the state of engineering at the time of printing .

Modifications may take place and materials specified may be replaced by others without prior notice.